



## Installation Guide

# SUPERCOURSE 500

### Synthetic Damp Proof Course

Supercourse 500 is a general damp-proof course (DPC) used to prevent moisture transfer between building materials. It is also used as a concealed flashing for masonry veneer cladding.

Manufactured using a single layer of black polyethylene, Supercourse 500 is tough, high-impact and tear resistant. It is a suitable moisture impermeable alternative to bituminous DPC.

Smarter products. Better buildings.  
[thermakraft.co.nz](http://thermakraft.co.nz)



# Installation Guide

## Product usage

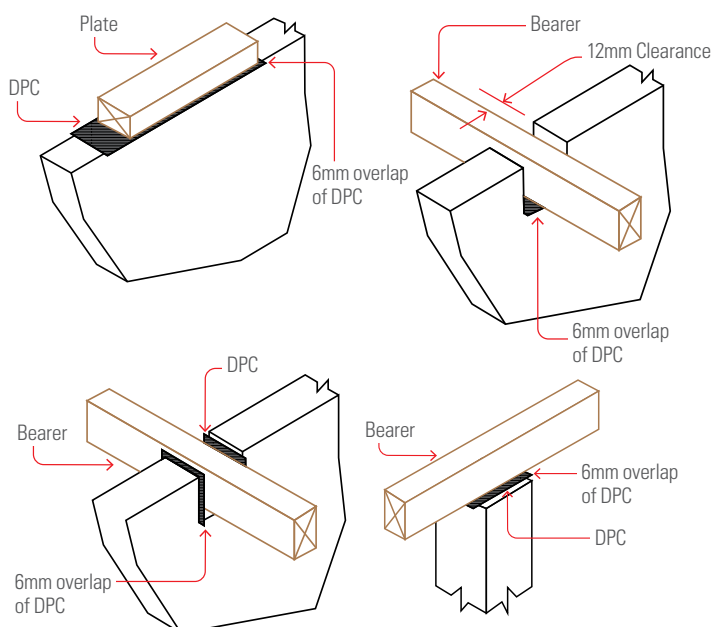
Thermakraft Supercourse 500 provides a moisture barrier protection and prevent walls, floors and structural elements in contact with the ground absorbing or transmitting moisture. When used as a flashing in masonry walls, the product provides moisture protection around window and door joinery.

## Application Method

### Damp-Proof Course (DPC) Installation

- Strips of Thermakraft Supercourse 500 DPC may be cut to length with a sharp knife.
- Surface must be smooth and flat, free from sharp ridges/projections such as small stones that may puncture membrane.
- The strip of Thermakraft Supercourse 500 DPC must be wide enough to fully protect the width of material in contact with concrete or masonry.
- When used to separate timber and wood-based products from concrete or masonry, Supercourse 500 should be temporarily held in place with small hot-dip galvanised clouts or zinc plated staples.

**Note:** when use as a DPC, the roll width selected must be enable the Supercourse 500 to extend 6mm beyond each face of the timber in accordance with the requirement of the NZ 3604 standard paragraph 2.3.3 (b). See extract image below from NZ 3604:2011.



Note: Timber, unless otherwise stated, to be treated to the levels specified in NZS 3604.

- A small slit should be made in the material to accommodate the bolts or fixings when used under timber plates or concrete floors or foundation walls. Alternative, a small hole can be formed by gently tapping the product resting on top of the bolt until a puncture is formed.

### Flashing Installation

- Thermakraft Supercourse 500 must be fixed in place to framing members at 300mm centres with small hot-dip galvanised clouts.
- Horizontal and vertical joints must be no less than 75mm wide, with the direction of the lap ensuring that water is shed to the outer face of the flashing.
- At the sill/jamb junction, the jamb flashing must overlap the sill flashing.

Supercourse 500 is unaffected by LOSP or other solvent based treated timber. However, LOSP or other solvent based treated timber must have sufficient time for the solvent chemical to flash off in a well ventilated area. Recommended minimum 7 days.

### Handling and Storage

Supercourse 500 must be handled with care to prevent damage such as tearing and roll deformation.

The product must be stored under cover well away from direct moisture, rainfall contact and sunlight (UV). Care should be taken not stack other materials on top of the product.

Thermakraft Limited / 0800 806 595

The recommendations contained in Thermakraft's literature are based on good building practice, but are not an exhaustive statement of all relevant information and are subject to any conditions contained in the Warranty. All product dimensions and performance claims are subject to any variation caused by normal manufacturing process and tolerances. Furthermore, as the successful performance of the relevant system depends on numerous factors outside the control of Thermakraft (for example quality of workmanship and design), Thermakraft shall not be liable for the recommendations in that literature and the performance of the Product, including its suitability for any purpose or ability to satisfy the relevant provisions of the Building Code, regulations and standards. Literature subject to change without notification. Latest documentation can be found on the website. E&OE.