



Installation Guide

PERIMETER

Damp Proof Course

Perimeter Damp Proof Course is designed for use as a separation layer to prevent moisture transfer between building materials. It is manufactured using a bitumen saturated kraft paper and is lightly coated with perlite (fine sand).

Perimeter is a tried and tested solution that is extremely easy to use. It comes in a wide range of widths and can be hand-torn to length.

Product usage

Thermakraft Perimeter provides a moisture barrier protection and prevent walls, floors and structural elements in contact with the ground absorbing or transmitting moisture.

Smarter products. Better buildings.
thermakraft.co.nz

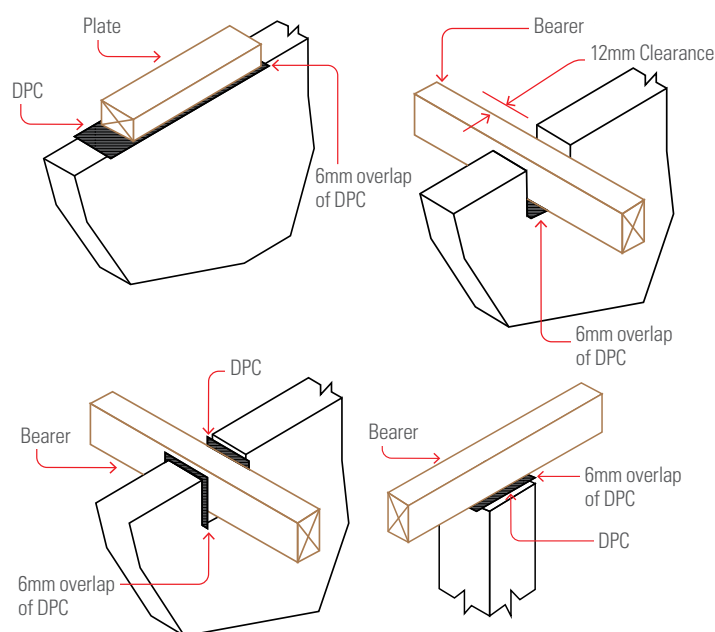


Installation Guide

Application Method

- Strips of Thermakraft Perimeter DPC may be cut to length with a sharp knife.
- Surface must be smooth and flat, free from sharp ridges/projections such as small stones that may puncture membrane.
- The strip of Thermakraft Perimeter DPC must be wide enough to fully protect the width of material in contact with concrete or masonry.
- When used to separate timber and wood-based products from concrete or masonry, Perimeter should be temporarily held in place with small hot-dip galvanised clouts or zinc plated staples.

Note: when used as a DPC, the roll width selected must be enable the Perimeter to extend 6mm beyond each face of the timber in accordance with the requirement of the NZ 3604 standard paragraph 2.3.3 (b). See extract image below from NZ 3604:2011.



Note: Timber, unless otherwise stated, to be treated to the levels specified in NZS 3604.

- A small slit should be made in the material to accommodate the bolts or fixings when used under timber plates or concrete floors or foundation walls. Alternative, a small hole can be formed by gently tapping the product resting on top of the bolt until a puncture is formed.

Handling and Storage

Perimeter must be handled with care to prevent damage such as tearing and roll deformation.

The product must be stored under cover well away from direct moisture, rainfall contact and sunlight (UV). Care should be taken not stack other materials on top of the product.

Thermakraft Limited / 0800 806 595